

# ASSEMBLY GUIDE | GUIDE D'ASSEMBLAGE GUÍA DE MONTAJE | MONTAGEANLEITUNG | GUIDA DI MONTAGGIO



MODEL / MODÈLE / MODELO / MODELL / MODELLO : PB1230G  
PART / PIÈCE / PARTE / TEIL / PARTE : 10618



# PIT BOSS® NAVIGATOR

## WOOD PELLET & GAS COMBO

IMPORTANT, READ CAREFULLY, RETAIN FOR FUTURE REFERENCE. MANUAL MUST BE READ BEFORE OPERATING!

## BARBECUE À GRANULÉS DE BOIS ET À GAZ

IMPORTANT, PRENEZ CONNAISSANCE DE CE DOCUMENT ET CONSERVEZ-LE POUR RÉFÉRENCE ULTÉRIEURE. VOUS DEVEZ LIRE CE GUIDE AVANT D'UTILISER LE BARBECUE!

## UNIDAD COMBINADA DE GRÁNULOS DE MADERA Y GAS

IMPORTANTE, LEER DETENIDAMENTE, CONSERVAR PARA REFERENCIA FUTURA. LEA EL MANUAL ANTES DEL USO!

## HOLZPELLET- UND GASKOMBINATION

WICHTIG: AUFMERKSAM LESEN UND GUT AUFBEWAHREN BITTE UNBEDINGT VOR GEBRAUCH DIE BEDIENUNGSANLEITUNG SORGFÄLTIG DURCHLESEN!

## COMBINAZIONE PELLET E GAS

IMPORTANTE: LEGGERE ATTENTAMENTE E CONSERVARE PER RIFERIMENTO FUTURO. LEGGERE IL MANUALE PRIMA DELL'USO.

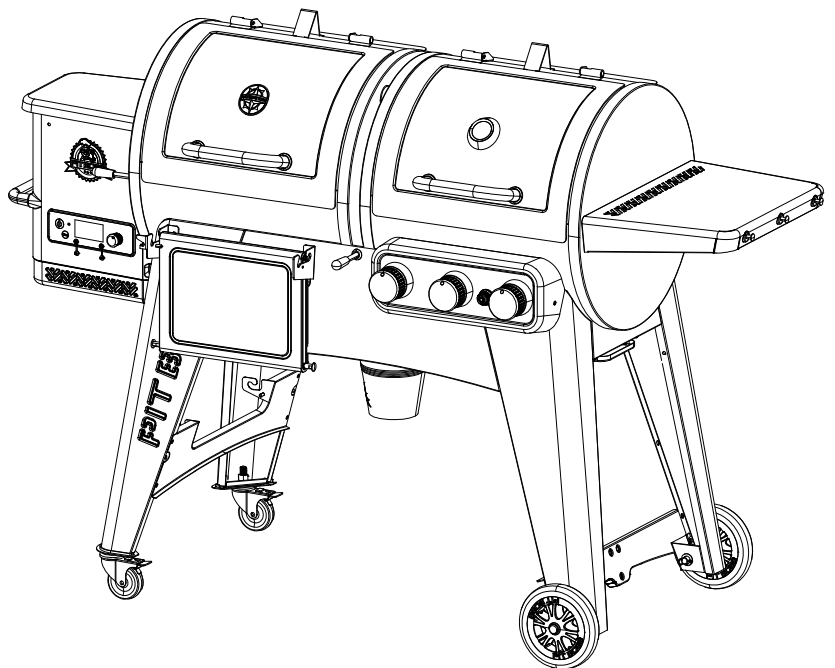
**WARNING:** PLEASE READ THE ENTIRE MANUAL BEFORE INSTALLATION AND USE OF THIS ELECTRIC, PELLET FUEL-BURNING APPLIANCE. FAILURE TO FOLLOW THESE INSTRUCTIONS COULD RESULT IN PROPERTY DAMAGE, BODILY INJURY OR EVEN DEATH. CONTACT LOCAL BUILDING OR FIRE OFFICIALS ABOUT RESTRICTIONS AND INSTALLATION INSPECTION REQUIREMENTS IN YOUR AREA.

**AVERTISSEMENT :** VEUILLEZ LIRE L'INTÉGRALITÉ DU MANUEL AVANT L'INSTALLATION ET L'UTILISATION DE CET APPAREIL ÉLECTRIQUE À COMBUSTION DE GRANULÉS DE BOIS. LE NON-RESPECT DE CES INSTRUCTIONS PEUT ENTRAÎNER DES DOMMAGES MATÉRIELS, DES DOMMAGES CORPORELS OU MÊME LA MORT. CONTACTEZ LES AUTORITÉS LOCALES COMPÉTENTES CONCERNANT LES RESTRICTIONS ET LES EXIGENCES D'INSPECTION EN VIGUEUR DANS VOTRE RÉGION.

**ADVERTENCIA:** LEA TODO EL MANUAL ANTES DE INSTALAR Y USAR ESTA UNIDAD QUE FUNCIONA CON ELECTRICIDAD Y COMBUSTIÓN DE PELLETS. SI NO SE SIGUEN ESTAS INSTRUCCIONES, PUEDEN PRODUCIRSE DAÑOS MATERIALES, LESIONES CORPORALES O INCLUSO LA MUERTE. PARA CONSULTAR LAS RESTRICCIONES Y REQUISITOS DE INSPECCIÓN DE LAS INSTALACIONES DE SU ZONA, PÓNGASE EN CONTACTO CON LOS ENCARGADOS DE EDIFICIO O EL DEPARTAMENTO DE BOMBEROS.

**ACHTUNG:** BITTE LESEN SIE DIE GESAMTE ANLEITUNG SORGFÄLTIG DURCH, BEVOR SIE DIESES ELEKTRISCHE, PELLETBEFEUERTES GERÄT INSTALLIEREN UND BENUTZEN. DIE NICHTBEACHTUNG DIESER ANWEISUNGEN KANN ZU SACHSCHÄDEN, KÖRPERVERLETZUNGEN ODER Sogar ZUM TOD FÜHREN. WENDEN SIE SICH AN LOKALE BAU- ODER BRANDSCHUTZBEHÖRDEN, UM INFORMATIONEN ÜBER EINSCHRÄNKUNGEN UND ANFORDERUNGEN AN DIE INSTALLATIONSINSPEKTION IN IHRER NÄHE ZU ERHALTEN.

**AVVERTENZA:** LEGGERE L'INTERO MANUALE PRIMA DELL'INSTALLAZIONE E DELL'USO DI QUESTA APPARECCHIATURA ELETTRICA PER LA COMBUSTIONE DI PELLET. LA MANCATA OSSERVANZA DELLE ISTRUZIONI PUÒ CAUSARE DANNI ALLA PROPRIETÀ, LESIONI FISICHE O MORTE. CONTATTARE LE AUTORITÀ LOCALI COMPETENTI PER L'EDILIZIA O I VIGILI DEL FUOCO PER INFORMAZIONI SULLE RESTRIZIONI E SUI REQUISITI DI ISPEZIONE DEGLI IMPIANTI NELLA PROPRIA ZONA.



For outdoor and household use only. Not for commercial use.  
Réservé à l'usage extérieur et résidentiel uniquement. Non destiné à un usage commercial.  
Solo para uso doméstico y en el exterior. No apto para uso comercial.  
Bitte nur im Freien und privat nutzen. Nicht für die gewerbliche Anwendung geeignet.  
Solo per uso domestico ed esterno. Non per uso commerciale.

# TABLE OF CONTENTS

- Parts & Specs..... 3
- Assembly Preparation..... 5
- Assembly Instructions
  - Assemble the Grease Tray Support ..... 5
  - Mounting the Grease Tray To the Main Barrel ..... 5
  - Installing the Lid Stopper ..... 6
  - Securing Support Plates And Caster Wheels..... 6
  - Securing Support Plates And Wheels ..... 6
  - Securing The Frame Assembly..... 7
  - Mounting Main Barrel To The Cart..... 7
  - Securing Cart Panel To The Grill ..... 7
  - Installing The Lid Handle..... 7
  - Securing The Front Shelf Brackets..... 8
  - Installing The Front Shelf ..... 8
  - Installing The Side Shelf ..... 8
  - Installing The Grill Cooking Components ..... 9
  - Installing Grease Bucket ..... 10
  - Installing The Battery ..... 10
  - Connecting To A Power Source..... 10



### COPYRIGHT NOTICE

Copyright 2021. All right reserved. No part of this manual may be copied, transmitted, transcribed, stored in a retrieval system, in any form or by any means without expressed written permission of,

### Dansons

3411 North 5th Avenue, Suite 500, Phoenix, AZ, USA 85013  
sales@pitboss-grills.com | service@pitboss-grills.com  
[www.pitboss-grills.com](http://www.pitboss-grills.com)

### Customer Service

Monday through Sunday, 4am - 8pm PST (EN/FR/ES)  
**Toll-Free: 1-877-303-3134, Fax: 1-877-303-3135**

# PARTS & SPECS

Part#	Description
1	Porcelain-Coated Steel Upper Cooking Rack (x2)
2	Porcelain-Coated Cast-Iron Cooking Grid (x4)
3	Flame Broiler Slider (x1)
4	Flame Broiler Main Plate (x1)
5	Flame Broiler Adjusting Bar (x1)
6	Flame Broiler Adjusting Bar Handle (x1)
7	Heat Tent (x3)
8	Lid Stopper (x2)
9	Lid Handle (x2)
10	Lid Handle Bezel (x4)
11	Main Barrel / Hopper Assembly (x1)
12	Meat Probe (x2)
13	Smoker Adjusting Bar (x1)
14	Side Shelf (x1)
15	Grease Tray Support A (x2)
16	Grease Tray Support B (x2)
17	Grease Tray (x1)
18	Grease Bucket Liner (x1)
19	Grease Bucket (x1)
20	Support Leg for Caster / Back (x1)
21	Support Leg for Caster / Front (x1)
22-1	Left Front Support Leg Trim Piece (x1)
22-2	Left Back Support Leg Trim Piece (x1)
23	Locking Casters (x2)
24	Support Leg / Back (x1)
25	Support Leg / Front (x1)
26	Wheel (x2)
27	Cart Side Panel (x2)
28	Cart Back Panel (x1)
29	Cart Front Panel (x1)
30	Cart Support Girder M (x1)
31	Cart Support Girder L (x1)

Part#	Description
32	Front Shelf Bracket /L (x1)
33	Front Shelf Bracket /R (x1)
34	Front Shelf (x1)
35	Cable Clip (x1)
36	Power Cord - F Plug (x1)
37	Power Cord - G Plug (x1)
A	Screw (x30)
B	Washer (x30)
C	Locking Washer (x30)
D	Screw (x26)
E	Screw (x4)
F	Wheel Cotter Pin (x2)
G	Wheel Washer (x2)
H	Wheel Axle Pin (x2)
I	AA Battery (x1)

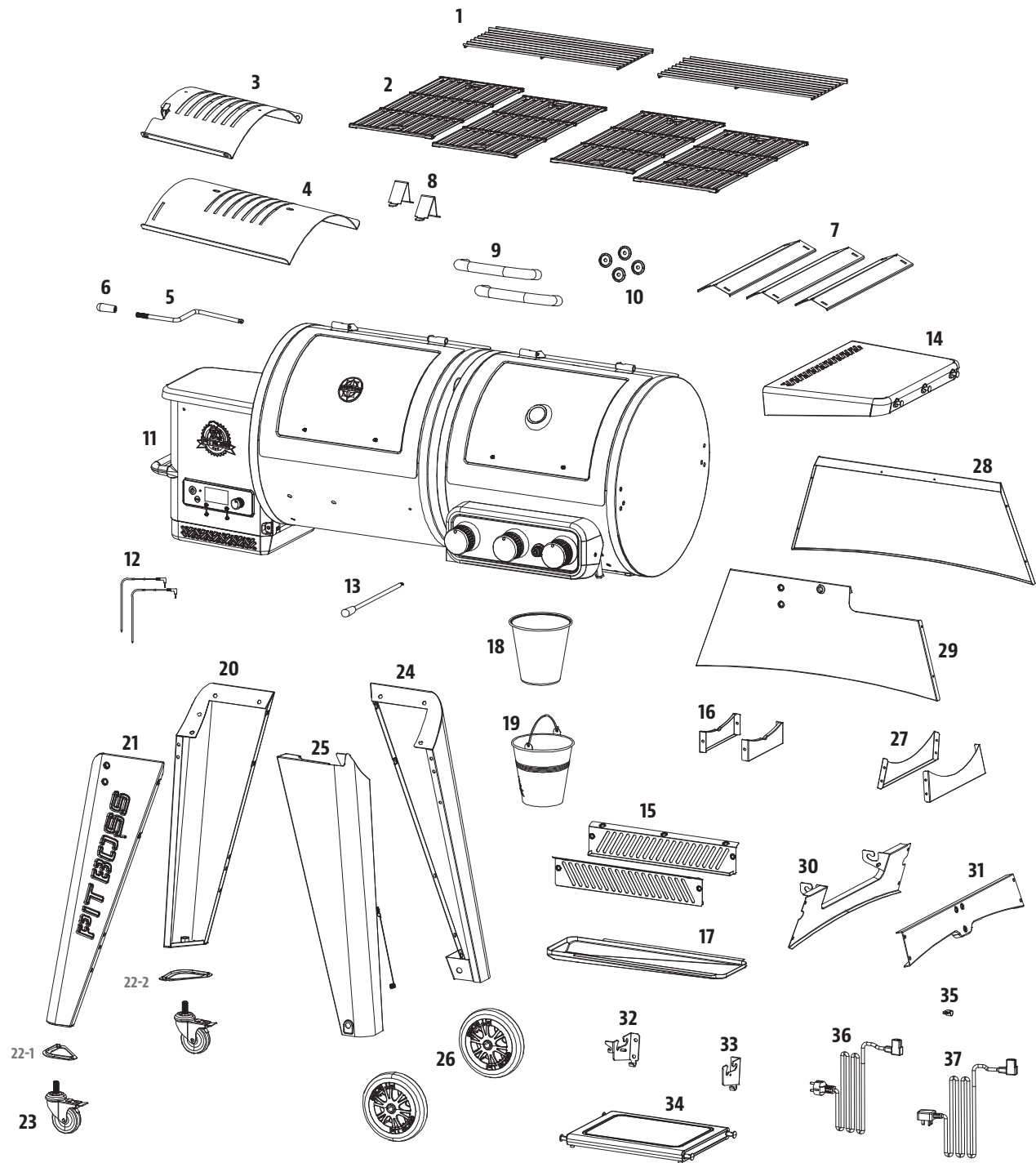
*NOTE: Due to ongoing product development, parts are subject to change without notice. Contact Customer Service if parts are missing when assembling the unit.*

**PB – ELECTRIC REQUIREMENTS**  
**220-240V, 50HZ, 250W, 3-PRONG GROUNDED PLUG**

Diagram Illustration on next page.

MODEL	UNIT ASSEMBLED (WxHxD)	UNIT WEIGHT	COOKING AREA		TEMP. RANGE	DIGITAL FEATURES
PB PB1230G	1,759mm x 1,195mm x 866mm / 69.2" x 47" x 34.1"	92 kg / 202.82 lb	Main Pellet - 2,580.6 cm <sup>2</sup> / 400 sq. in.	Main Gas - 2,580.6 cm <sup>2</sup> / 400 sq. in.	82-260°C / 180-500°F	Ten temperature presets, start-up cycle, electric igniter
			Upper Rack - 1,489 cm <sup>2</sup> / 230.8 sq. in.	Upper Rack - 1,489 cm <sup>2</sup> / 230.8 sq. in.		
			<b>TOTAL - 4,069.6 cm<sup>2</sup> / 630.8 sq. in.</b>			
			<b>TOTAL GRILL - 8,139.2 cm<sup>2</sup> / 1,261.6 sq. in.</b>			

# PARTS & SPECS



A		B		C		D		E	
F		G		H		I			

# ASSEMBLY PREPARATION

Parts are located throughout the shipping carton, including underneath the grill. Inspect the grill, parts, and hardware blister pack after removing from the protective shipping carton. Discard all packaging materials from inside and outside of the grill before assembly, then review and inspect all parts by referencing the parts list. If any part is missing or damaged, do not attempt to assemble. Shipping damage is not covered under warranty. Contact your dealer or Pit Boss® Customer Service for parts: Monday through Sunday, 4am - 8pm PST (EN/FR/ES).

service@pitboss-grills.com | Toll-Free: 1-877-303-3134 | Toll-Free Fax: 1-877-303-3135

**IMPORTANT: To ease installation and avoid injury, use two people when assembling this appliance.**

**Tools required for assembly:** screwdriver and level. *Tools not included.*



# ASSEMBLY INSTRUCTIONS

**IMPORTANT: It is advised to read each step entirely before starting assembly on instructions. Do not tighten screws completely until all screws for that step have been installed. Hardware combination involving a locking washer and washer should be installed with the locking washer closest to the head of the screw.**

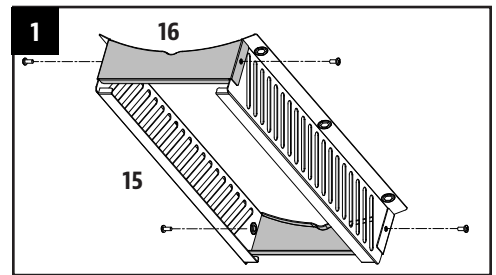
## 1. ASSEMBLE THE GREASE TRAY SUPPORT

### Parts Required:

- 2 x Grease Tray Support A (#15)
- 2 x Grease Tray Support B (#16)
- 4 x Screw (#D)

### Installation:

- Mount Grease Tray Support A to Grease Tray Support B using four screws.



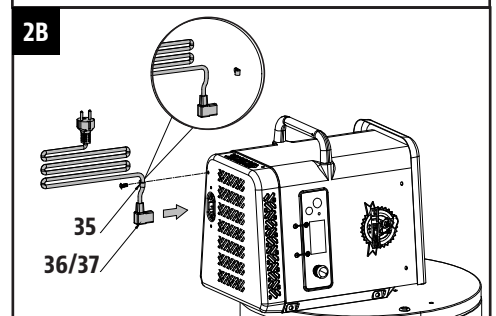
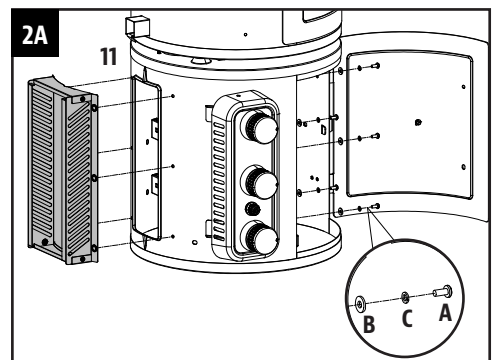
## 2. MOUNTING THE GREASE TRAY TO THE MAIN BARREL

### Parts Required:

- 1 x Main Barrel / Hopper Assembly (#11)
- 6 x Screw (#A)
- 6 x Washer (#B)
- 6 x Locking Washer (#C)
- 1 x Power Cord (#36, #37)
- 1 x Cable Clip (#35)

### Installation:

- Place a piece of cardboard on the floor to prevent scratching the unit. Lay the Main Barrel on it's side, hopper end pointed upward on the cardboard.
- Mount Grease Tray Support to the floor end of the Main Barrel using six screws, locking washers and washers. Note Illustration 2A.
- Please replace with the correct power cord for your country, if you find the power cord does not match the plug you are using.
- Place the cable clips on the correct power cord. Insert the power cord into the grove at the bottom of the hopper. Secure the cable clip to the bottom of the hopper with the previously installed screw. Note Illustration 2B.



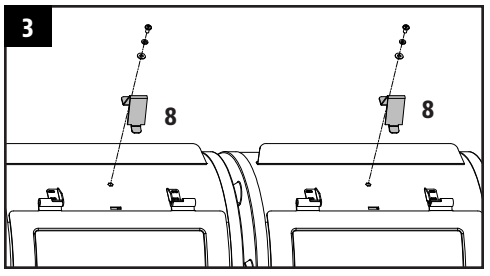
### 3. INSTALLING THE LID STOPPER

**Parts Required:**

- 2 x Lid Stopper (#8)

**Installation:**

- Secure the Lid Stopper onto the top of the Main Barrel using the pre-installed screw on top of the Main Barrel.



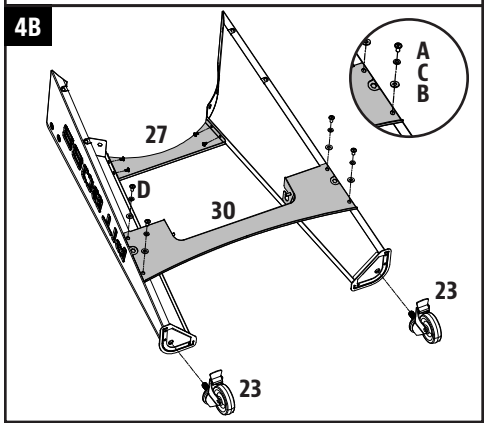
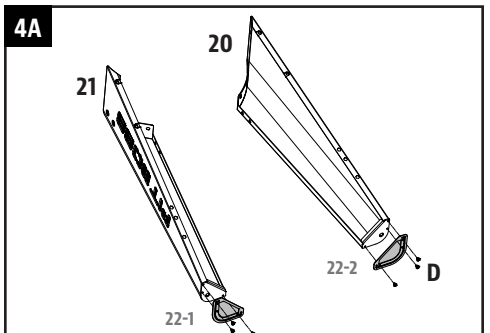
### 4. SECURING SUPPORT PLATES AND CASTER WHEELS

**Parts Required:**

- 1 x Support Leg for Caster / Back (#20)
- 1 x Support Leg for Caster / Front (#21)
- 1 x Left Front Support Leg Trim Piece (#22-1)
- 1 x Left Back Support Leg Trim Piece (#22-2)
- 1 x Cart Side Panel (#27)
- 1 x Cart Support Girder / M (#30)
- 2 x Locking Caster (#23)
- 4 x Screw (#A)
- 4 x Washer (#B)
- 4 x Locking Washer (#C)
- 10 x Screw (#D)

**Installation:**

- Screw Left Front Support Leg Trim Piece to Support Left for Caster / Front. Screw Left Back Support Leg Trim Piece to Support Left for Caster /Back. Note illustration 4A.
- Fix Support Leg for Caster /Front and Support Leg for Caster /Back assembled in previous step with Cart Side Panel connection with screws (#D). Fix the Cart Support Girder M on the assembled parts in previous step with screws (#A), locking washers and washers. Note illustration 4B.



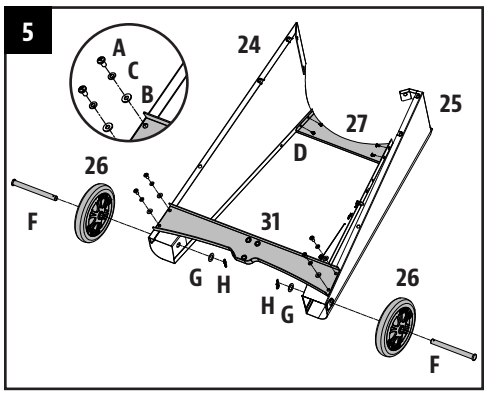
### 5. SECURING SUPPORT PLATES AND WHEELS

**Parts Required:**

- 1 x Support Leg / Back (#24)
- 1 x Support Leg / Front (#25)
- 2 x Wheel (#26)
- 1 x Cart Side Panel (#27)
- 1 x Cart Support Girder / L (#31)
- 4 x Screw (#A)
- 4 x Washer (#B)
- 4 x Locking Washer (#C)
- 4 x Screw (#D)
- 2 x Wheel Axle Pin (#F)
- 2 x Wheel Washer (#G)
- 2 x Wheel Cotter Pin (#H)

**Installation:**

- Fix Support Leg/ Back and Support Leg/ Front with cart Side Panel with screws (#D). Fix the Cart Support Girder L on the assembled member in the previous step with screws (#A), locking washers and washers.
- Attach the large Wheel to the Support Leg by inserting the Wheel Axle Pin through the Wheel, Support Leg hole, then secure using the Wheel Cotter Pin. Repeat installation for other Wheel on the same side.





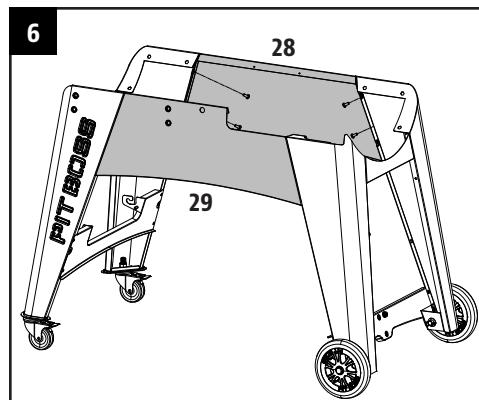
## 6. SECURING THE FRAME ASSEMBLY

### Parts Required:

- 1 x Cart Back Panel (#28)
- 1 x Cart Front Panel (#29)
- 8 x Screw (#D)

### Installation:

- Install Cart Back Panel to the front two Support Legs of the unit. Secure using two screws on each side. Ensure the flat side of the Support Plate is facing outwards. Repeat the same installation to Cart Front Panel plate to the other Support Legs.



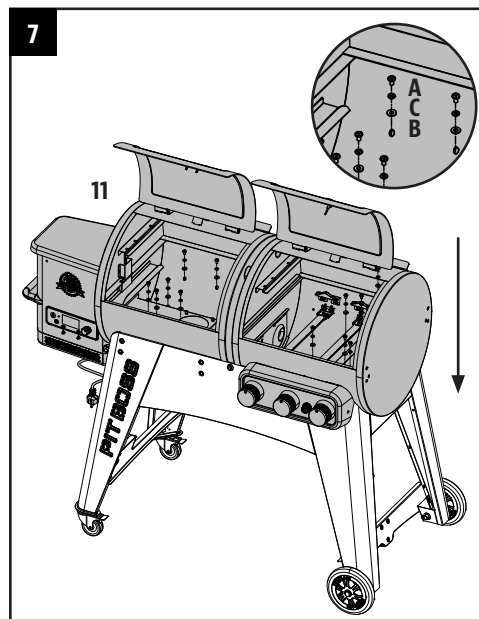
## 7. MOUNTING MAIN BARREL TO THE CART

### Parts Required:

- 1 x Main Barrel (#11)
- 12 x Screw (#A)
- 12 x Washer (#B)
- 12 x Locking Washer (#C)

### Installation:

- Prepare the Main Barrel to be mounted to the Cart. Position the Cart next to the Main Barrel, with both facing the same direction. Lock the Caster Wheels on the Cart. Using a second person, prepare to lift the Main Barrel onto the Cart. With one person lifting from the hopper side, and the other person lifting from the opposing barrel end, carefully lift the Main Barrel, and slowly lower onto the Cart.
- Next, open the Main Barrel lid. Adjust the rotation as needed to align the screw holes of the Main Barrel to the Cart. Once placed, secure each leg to the Main Barrel using three screws, washers, and locking washers.



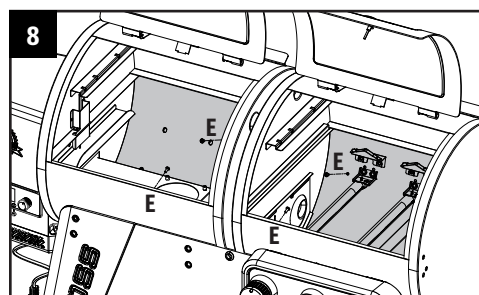
## 8. SECURING CART PANEL TO THE GRILL

### Parts Required:

- 4 x Screw (#E)

### Installation:

- Secure Cart Front / Back Panel to Barrel using four screws.



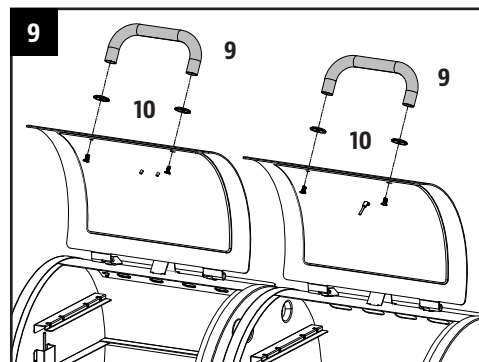
## 9. INSTALLING THE LID HANDLE

### Parts Required:

- 2 x Lid Handle (#9)
- 4 x Lid Handle Bezel (#10)

### Installation:

- Remove the pre-installed screws from the Lid Handle. From inside the barrel lid, insert one screw protrude to the outside. Add a Bezel on the screw. Then hand-tighten the screw (from the inside) into the Lid Handle. Repeat for other side.



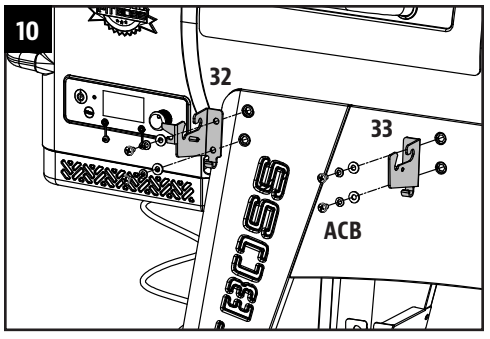
## 10. SECURING THE FRONT SHELF BRACKETS

### Parts Required:

- 1 x Front Shelf Bracket / Left (#32)
- 1 x Front Shelf Bracket / Right (#33)
- 4 x Screw (#A)
- 4 x Washer (#B)
- 4 x Locking Washer (#C)

### Installation:

- Attach one Front Shelf Bracket to the front of the Grill Barrel by using two screws. Install each screw half-way, then tighten completely when all two screws are mounted and aligned properly. Repeat the same installation for the other Front Shelf Bracket.



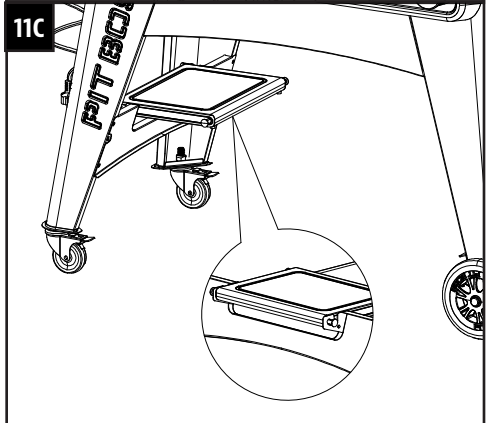
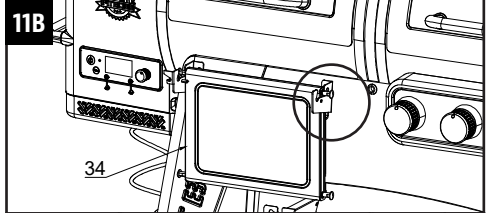
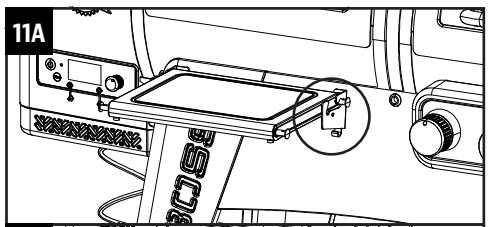
## 11. INSTALLING THE FRONT SHELF

### Parts Required:

- 1 x Front Shelf (#34)

### Installation:

- Place the Front Shelf on the Front Shelf Support Brackets. Note illustration 11A as unfolded Front Shelf.
- Note illustration 11B as folded Front Shelf.
- Front Shelf can also be placed on the Bottom Support Plates and be used as Bottom Plate. Note illustration 11C.



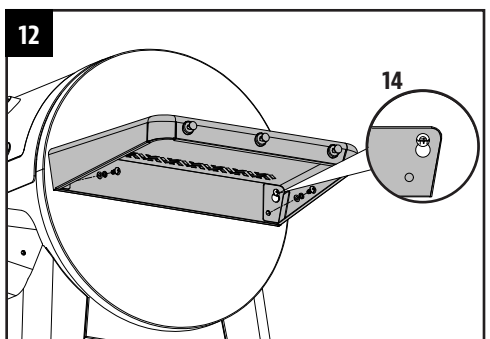
## 12. INSTALLING THE SIDE SHELF

### Parts Required:

- 1 x Side Shelf (#14)

### Installation:

- Loosen the two pre-installed screws from the side of the Main Barrel. Hook up the Side Shelf on the screws first then secure the two pre-loosened screws into place.
- From underneath, secure the Side Shelf to the side panel of the Main Barrel using two screws, washers, and locking washers.





### 13. INSTALLING THE COOKING COMPONENTS

#### Parts Required:

- 1 x Flame Broiler Main Plate (#4)
- 1 x Flame Broiler Slider (#3)
- 1 x Flame Broiler Adjusting Bar (#5)
- 1 x Flame Broiler Adjusting Bar Handle (#6)
- 1 x Smoker Adjusting Bar (#13)
- 3 x Heat Tent (#7)
- 4 x Porcelain-Coated Casted-Iron Cooking Grids (#2)
- 2 x Porcelain-Coated Upper Cooking Rack (#1)

#### Installation:

- Insert the Flame Broiler Main Plate into the main grill. Rest the Flame Broiler Main Plate on the built-in ledge (on the inside right) of the Main Grill that directs grease towards the grease bucket spout. Slide the entire piece to the left side, and the two slots on the Flame Broiler Main Plate will fit into the rounded ledge above the burn pot. It will sit slightly at a downward angle. Note illustration 13A.

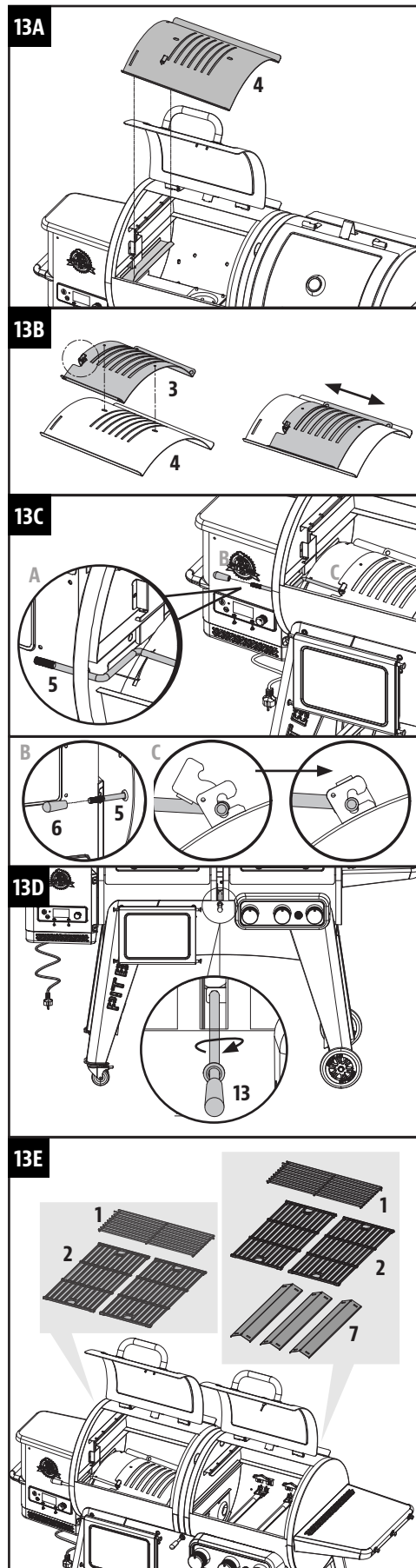
**IMPORTANT: If the Main Plate is resting on the base of the Barrel, it is installed incorrectly. Poor installation may result in damage to your Main Grill Barrel.**

- Place the Flame Broiler Slider on top of the Flame Broiler Main Plate covering the slotted openings. Ensure the raised tab is on the left and the two pins at the bottom of the Flame Broiler Slider place into the holes of the Flame Broiler Main Plate. To Easily adjust for direct or indirect flame when cooking. Both Flame Broiler parts are lightly coated with oil to avoid rusting when shipped. Note illustration 13B.

**NOTE: When the flame broiler slider is open, and direct flame is used while cooking, do not leave the grill unattended for any period of time.**

- Insert the Flame Broiler Adjusting Bar through the opening hole on the left side of the Main Barrel. Add the Flame Broiler Adjusting Bar Handle on the end outside the Barrel. Next, slide the notched end of the Adjusting Bar into the locking tab on the Flame Broiler Slider, giving you adjustable access to the Flame Broiler Slider on the Main Plate. Note illustration 13C.
- Screw in the Smoke Adjusting Bar and tighten it. Should slide from front to back smoothly. Note illustration 13D.
- Place the three Heat Tents on the top of the burners. Place the Cooking Grids, side-by-side, on the grid ledge inside the Main Grill. Place the Upper Cooking Rack on the upper ledge inside the Main Grill. The Cooking Rack will lock into place. Note illustration 13E.

**NOTE: To maintain the searing and grilling performance of your cooking grids, regular care and maintenance is required. See Owner's Manual.**



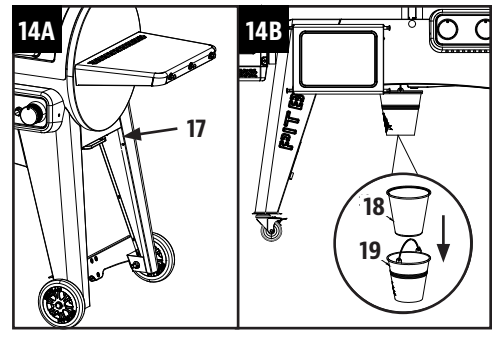
**14. INSTALLING GREASE BUCKET**

**Parts Required:**

- 1 x Grease Tray (#17)
- 1 x Grease Bucket Liner (#18)
- 1 x Grease Bucket (#19)

**Installation:**

- Slide the Grease Tray into the bottom of the barrel. Note illustration 14A.
- Insert the Grease Bucket Liner inside the Grease Bucket. Place the Grease Bucket on the spout hook on the underside of the grill. Ensure it is level to avoid grease spills. Note illustration 14B.



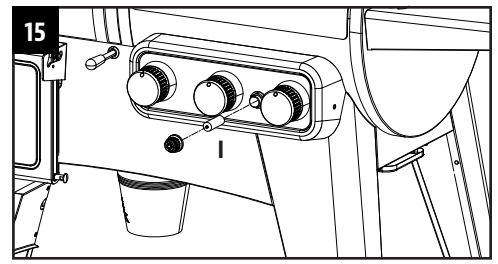
**15. INSTALLING THE BATTERY**

**Parts Required:**

- 1 x AA Battery (#1)

**Installation:**

- Unscrew igniter cap from the control panel. Insert Battery into battery slot with the positive end (+) facing outward. Screw the cap back onto the panel.
- The unit is now completely assembled.



**16. CONNECTING TO A POWER SOURCE**

**NOTE: Before plugging your Pit Boss® into any electrical outlet, ensure the temperature dial is in the OFF position.**

- *STANDARD OUTLET*  
This appliance requires 220-240 volt, 50hz, 250w. It must be a 3-prong grounded plug.

**IMPORTANT: Disconnect unit from power source when not in use.**

**IMPORTANT: Refer to Owner's Manual for Operating Instructions**

